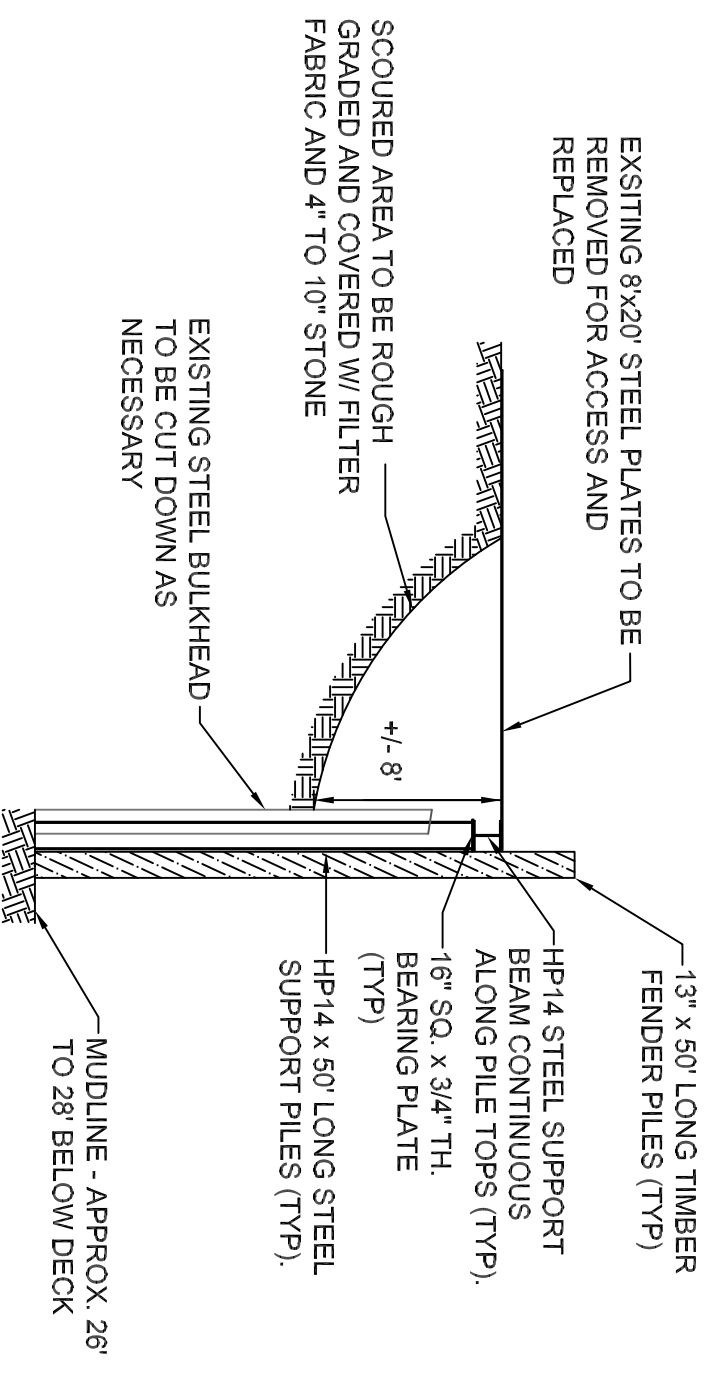


PLAN



SECTION

**PROPOSED NE CORNER BULKHEAD REPAIR
BRIDGE REAL ESTATE INVESTORS
FISH ISLAND
NEW BEDFORD, MA.**

SCALE: 1/8" = 1'	SHEET NO. 1 OF 1.
DATE: JUNE 5, 2018	
DRAWN BY: RGF	

AGM MARINE CONTRACTORS, INC.
30 ECHO ROAD, MASHPEE, MA 02649