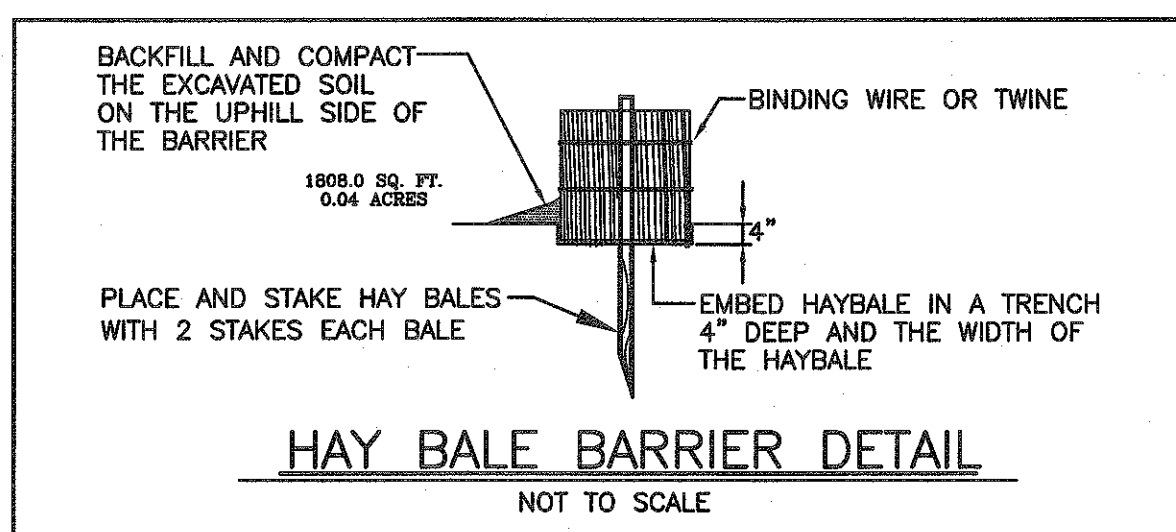
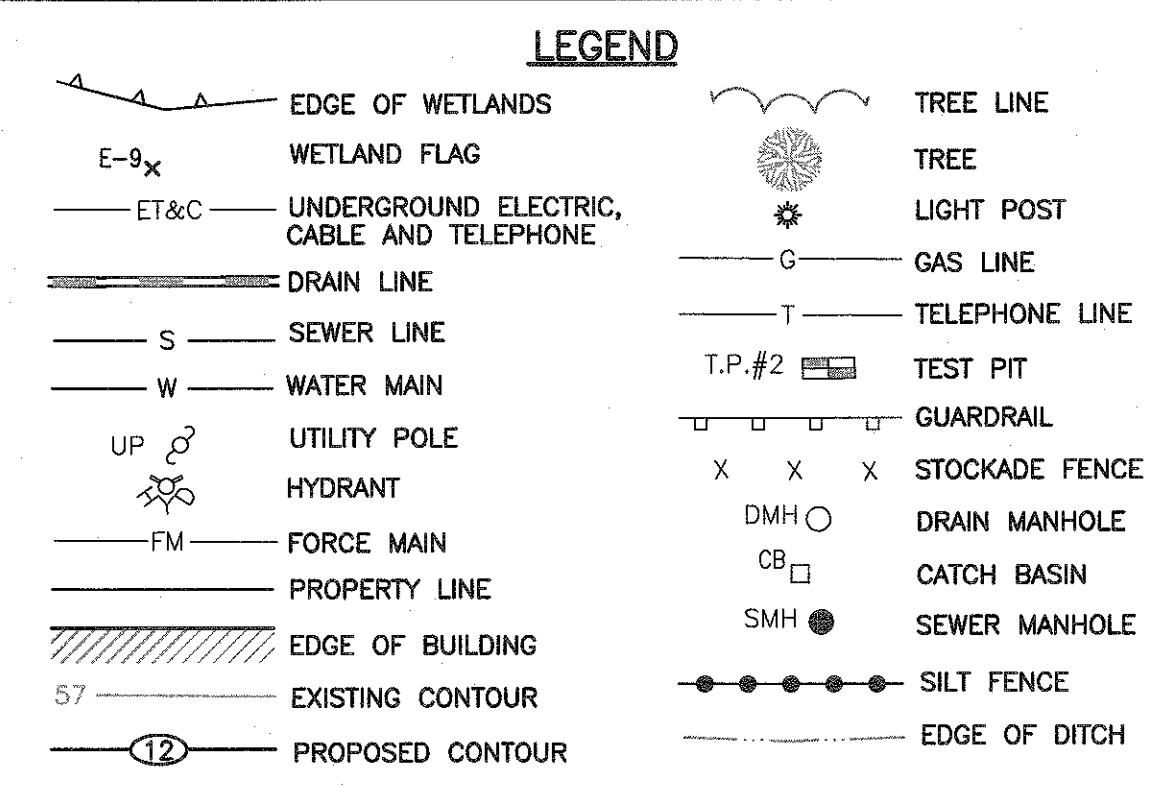
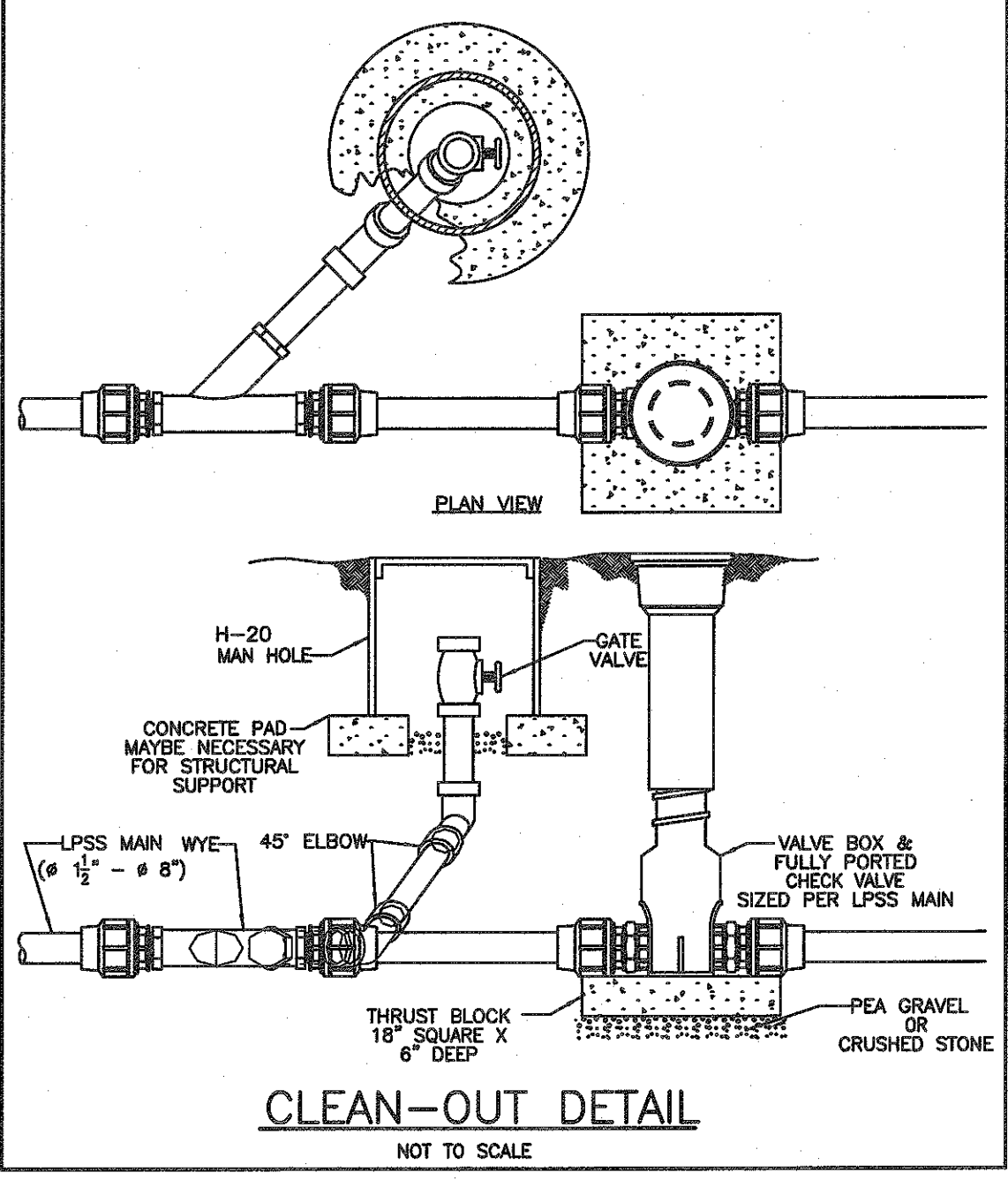


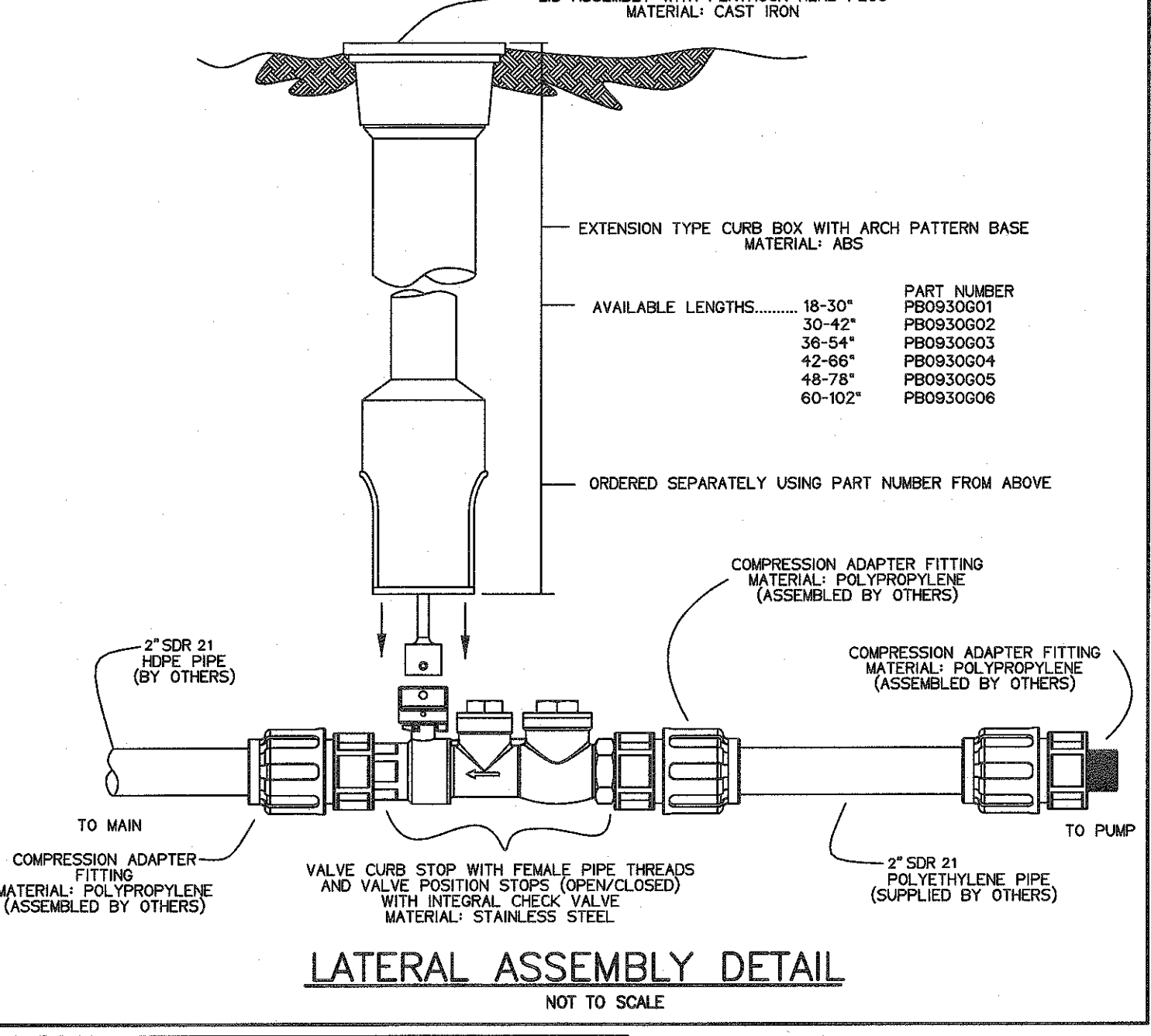
ROOF DRAIN INFILTRATION SYSTEM OVERFLOW DETAIL
NOT TO SCALE



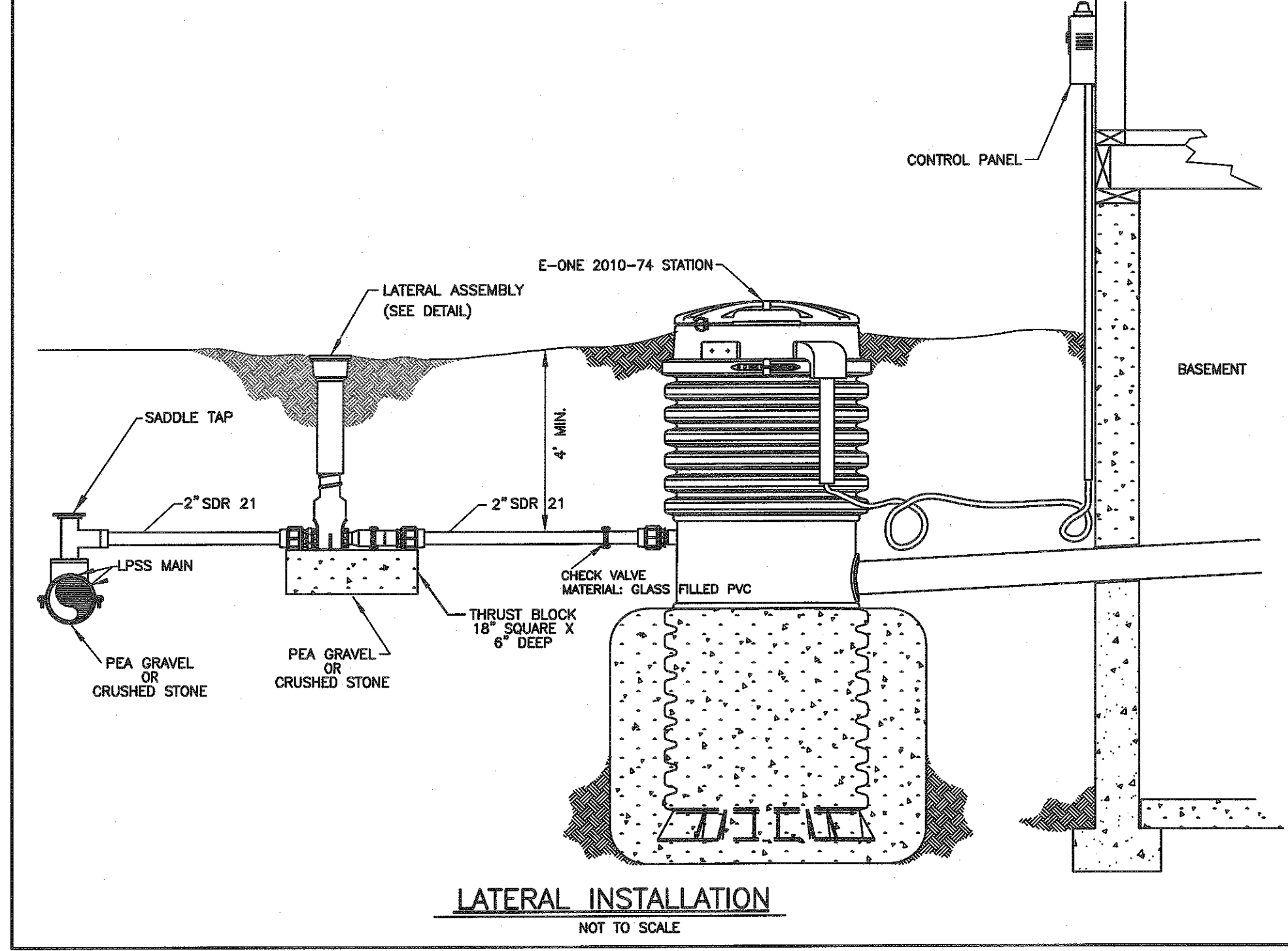
HAY BALE BARRIER DETAIL
NOT TO SCALE



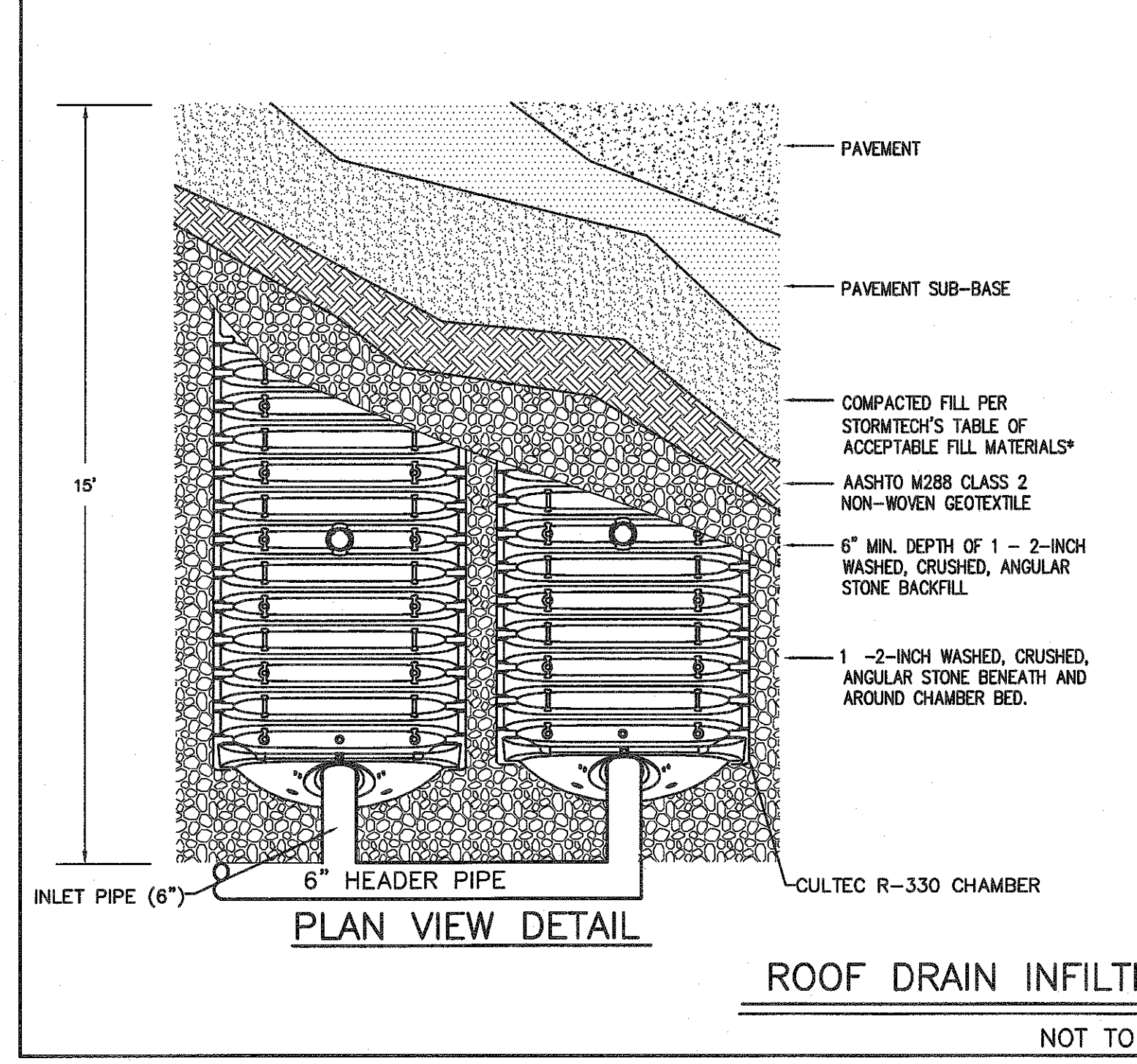
CLEAN-OUT DETAIL
NOT TO SCALE



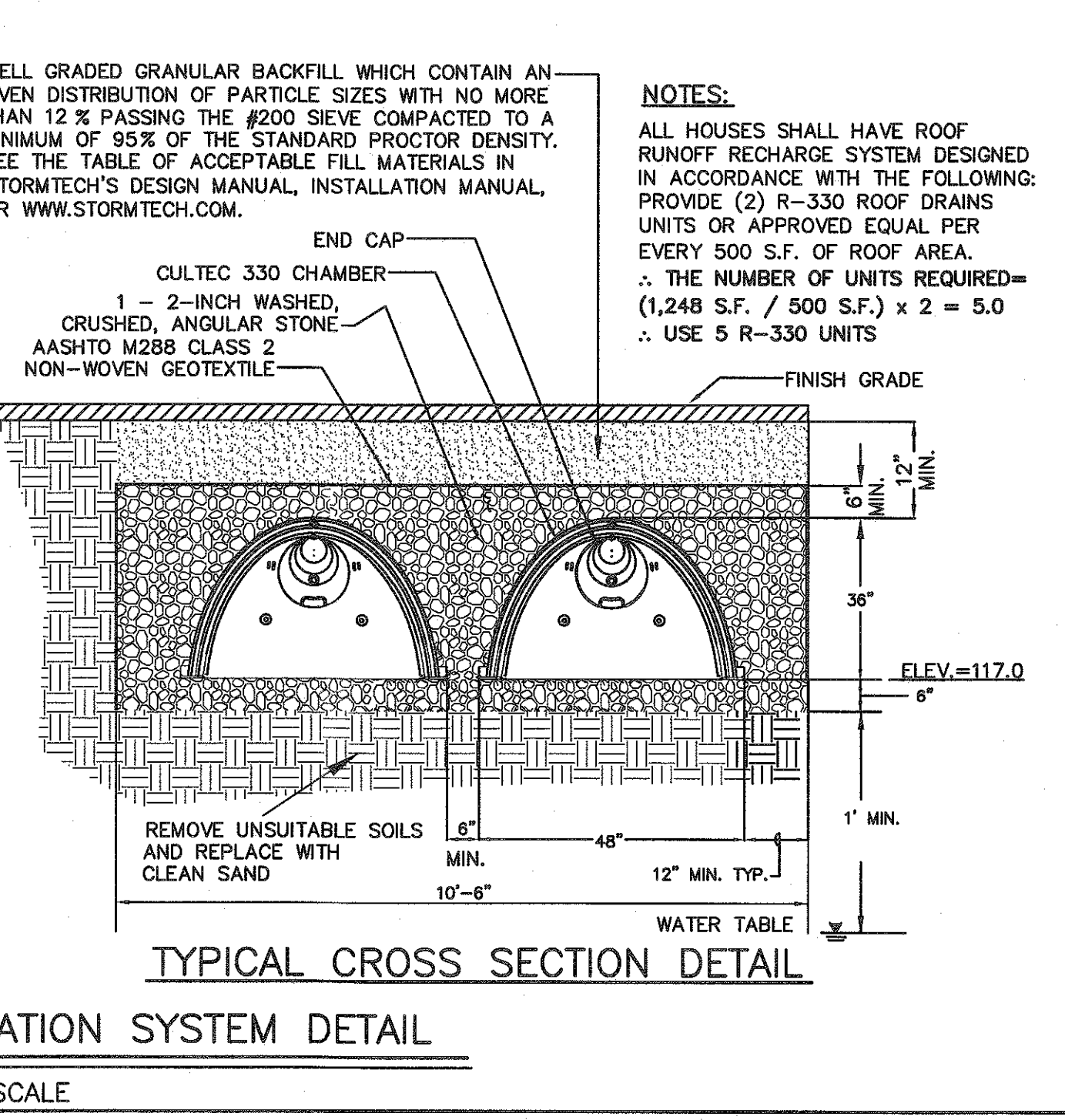
LATERAL ASSEMBLY DETAIL
NOT TO SCALE



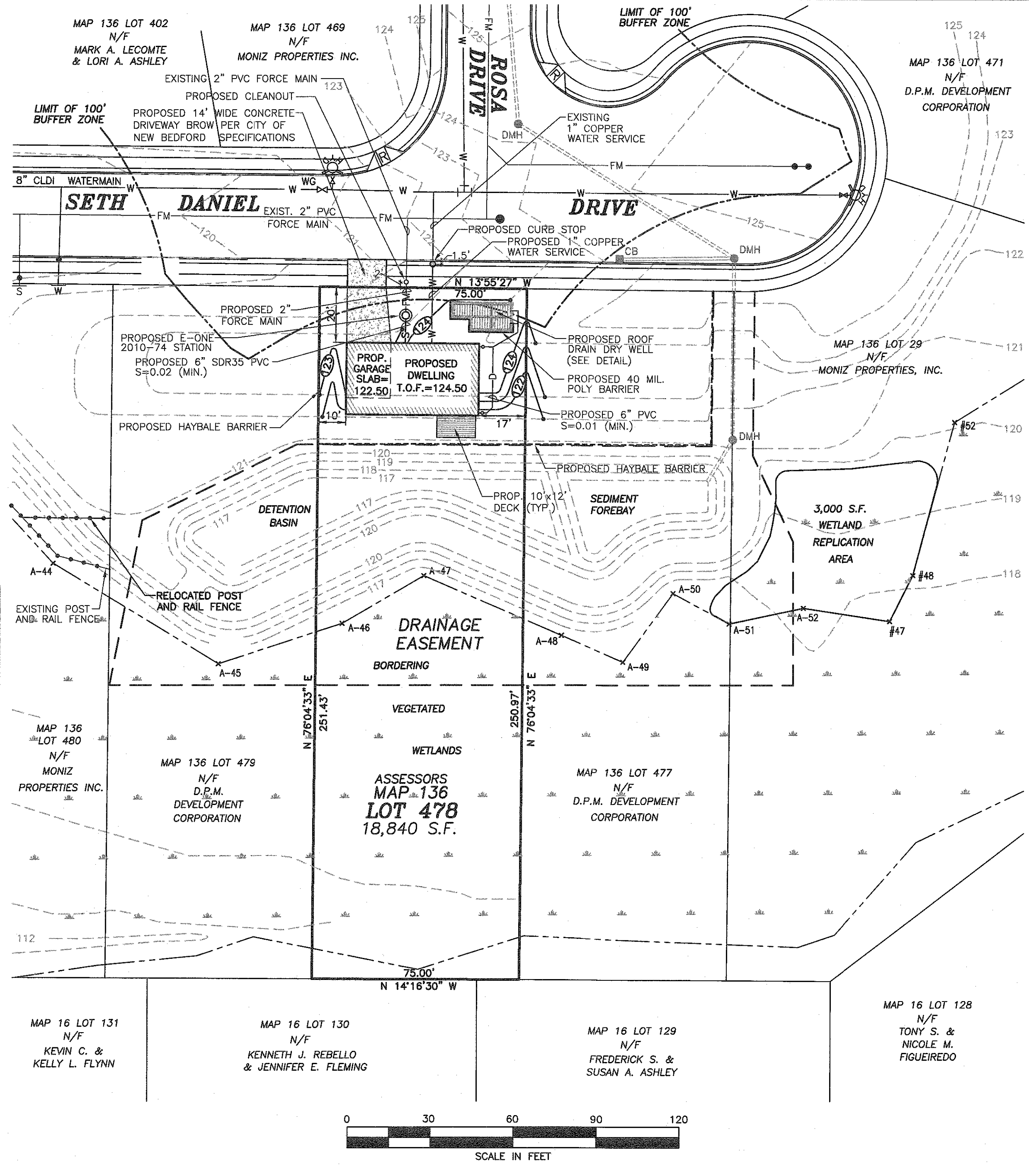
LATERAL INSTALLATION
NOT TO SCALE



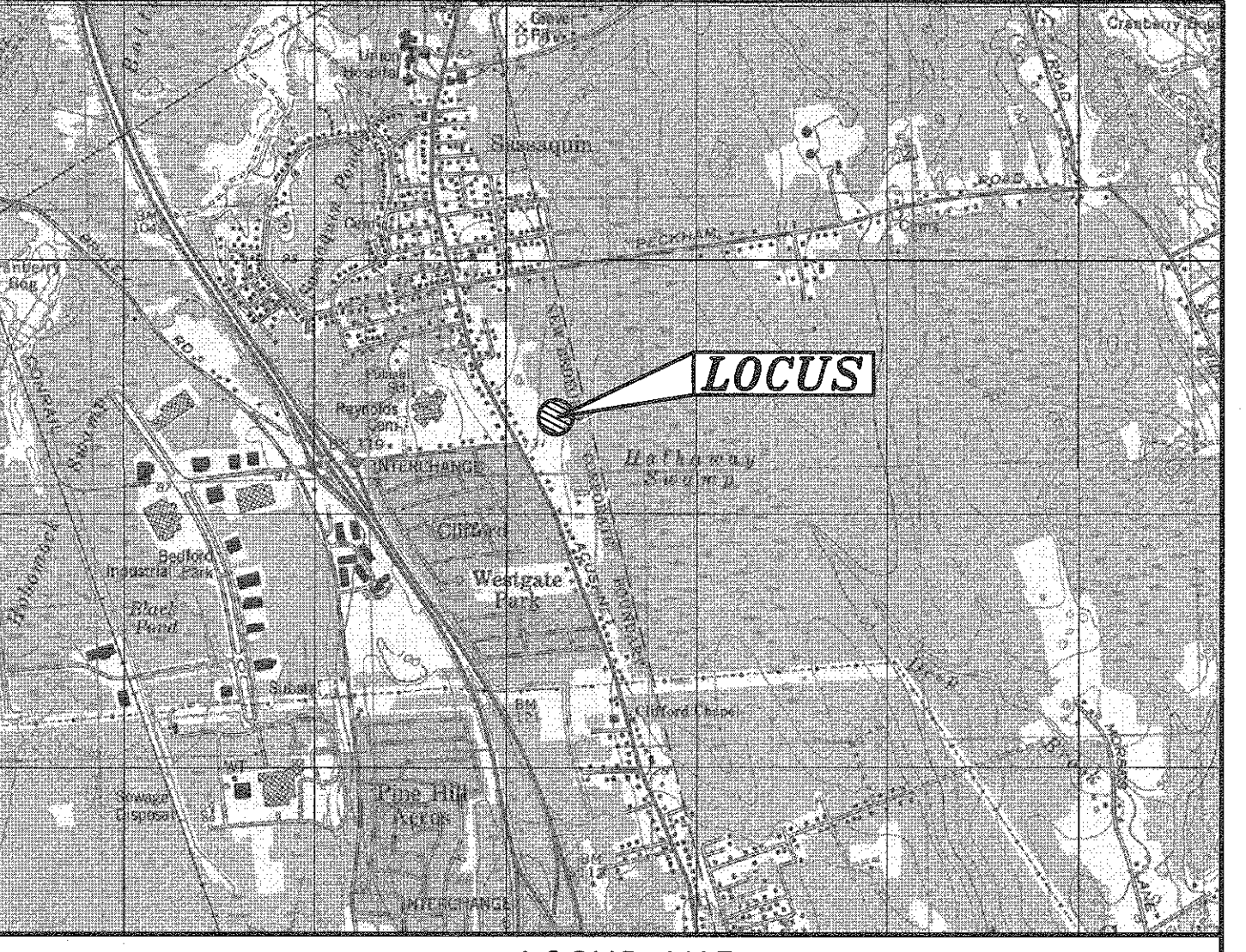
PLAN VIEW DETAIL
NOT TO SCALE



TYPICAL CROSS SECTION DETAIL
NOT TO SCALE



ASSESSORS MAP 136 LOT 478 18,840 S.F.



LOCUS MAP
(NOT TO SCALE)

BENCHMARK:
CHISEL "X" IN EASTERLY BONNET BOLT (STREET SIDE) OF HYDRANT LOCATED AT THE INTERSECTION OF ROSA DRIVE AND ACUSHNET AVENUE. ELEVATION = 138.09 (CITY OF NEW BEDFORD DATUM)

ZONING REQUIREMENTS:
ZONING DISTRICT - RESIDENCE A (RA)
MINIMUM LOT AREA = 8,000 SQ. FT.
MINIMUM FRONT YARD = 75 FEET
MINIMUM FRONT YARD = 20 FEET
MINIMUM SIDE YARD = 10 AND 12 FEET
MAXIMUM BUILDING COVERAGE = 35% LOT AREA

- GENERAL NOTES:**
- CONTRACTOR SHALL NOTIFY DIG SAFE AT LEAST 72 HOURS PRIOR TO THE START OF CONSTRUCTION.
 - CONTRACTOR SHALL VERIFY THE LOCATION AND ELEVATION OF ALL UTILITIES PRIOR TO THE START OF CONSTRUCTION. THESE PLANS ARE BASED ON FIELD AND RECORD INFORMATION AND, THEREFORE, MAY NOT COMPLETELY DEPICT ALL EXISTING UTILITIES.
 - CONTRACTOR SHALL NOTIFY THE OWNER AND ENGINEER IMMEDIATELY IF FIELD CONDITIONS ARE FOUND TO DIFFER WITH THESE DRAWINGS.
 - THE CONTRACTOR SHALL PROVIDE ADEQUATE PROTECTION OF THE ABUTTING AREA AND UTILITIES IN THE CONSTRUCTION OF THIS SITE. REPAIR OF DAMAGED PROPERTY SHALL BE THE RESPONSIBILITY OF THE CONTRACTOR AT NO COST TO THE OWNER.
 - CONTRACTOR SHALL BE RESPONSIBLE FOR PROPERLY WATERPROOFING THE BASEMENT. NO DETERMINATION OF THE HIGH GROUNDWATER ELEVATION HAS BEEN MADE BY THE ENGINEER ON THIS LOT.
 - CONTRACTOR SHALL BE RESPONSIBLE FOR COMPLETING ALL CONSTRUCTION.
 - ALL WORK SHALL BE IN ACCORDANCE WITH THE DEPARTMENT OF PUBLIC INFRASTRUCTURE CONSTRUCTION SPECIFICATIONS, LATEST REVISION.
 - ALL CONSTRUCTION SHALL COMPLY WITH THE CITY OF NEW BEDFORD DPW STANDARDS.
 - THE PROPOSED CONCRETE SIDEWALK AND DRIVEWAY APRONS MUST MEET CURRENT A.D.A. AND CITY STANDARDS. THE PROPOSED DRIVEWAYS SHALL BE 6" CEMENT CONCRETE WITH 6"x6" GAUGE WIRE MESH.
 - THE CONTRACTOR SHALL NOTIFY THE ENGINEERING DIVISION 24 HOURS IN ADVANCE TO ENSURE THE PROPOSED SIDEWALK AND DRIVEWAY APRONS AND WHEELCHAIR RAMPS WILL MEET THE CURRENT A.D.A. AND CITY OF NEW BEDFORD STANDARDS.
 - PERMITS FOR DRAINAGE, WATER, SIDEWALKS AND DRIVEWAYS MUST BE OBTAINED FROM THE DEPARTMENT OF PUBLIC INFRASTRUCTURE (DPI) ENGINEERING DIVISION BY OWNER.
 - ALL UTILITY WORK TO BE CONDUCTED PER DPI SPECIFICATION.
 - THE DEVELOPER AND SITE CONTRACTOR MUST SCHEDULE A PRE-CONSTRUCTION MEETING WITH THE DEPARTMENT OF PUBLIC INFRASTRUCTURE PRIOR TO START OF CONSTRUCTION.

<p>SITEC Civil and Environmental Engineering Land Use Planning</p>	<p>449 Fauceux Corner Road Dartmouth, MA 02747 (508) 998-2125 FAX (508) 998-7554</p>	<p>revised: scale: 1" = 30' date: 12-26-18 drawn: JPT checked: SML approved: SDG</p>
	<p>project: ASSESSORS MAP 136 LOT 478 SETH DANIEL DRIVE NEW BEDFORD, MASSACHUSETTS</p>	<p>client: D.P.M. DEVELOPMENT CORP.</p>
<p>sheet 1 of 1 drawing number: 13-5613_8S_PP</p>		