



May 6, 2019

Consulting
Engineers and
Scientists

New Bedford Conservation Commission
133 Williams Street
New Bedford, MA 02740

RE: Request to Amend Order of Conditions / DEP File #SE49-0755
GEI #1704784

Dear Chairman and Members of the Commission:

On behalf of the Massachusetts Department of Conservation and Recreation (MA DCR), this is to request that the New Bedford Conservation Commission review and approve the following temporary structural and operational repairs to the New Bedford State Pier as minor modifications to the project authorized under the above-referenced Order of Conditions.

1. Installation of twenty-seven (27), steel H piles.
2. Replacement of ten (10), 12-inch diameter, timber fender piles.
3. Spot repairs (two total) to the edging of the concrete deck of the South Wharf and East Wharf.
4. Replacement of timber curbing at two (2) locations along the edge of the South Wharf, and replacement of four (4) timber ladders off the South Wharf.

A total of 21 of the steel H piles will be installed along the East Wharf, while six (6) will be installed along the South Wharf. Nine (9) of the timber fender piles will be installed along the face of the East Wharf and one (1) will be installed along the face of the South Wharf. All piles will be installed using impact methods during the period of July through September, 2019.

These temporary repairs to the New Bedford State Pier are needed while funding is secured to complete the full project as currently authorized. The specific repairs are indicated in the attached Sheet 1 of 1, dated April 18, 2019.

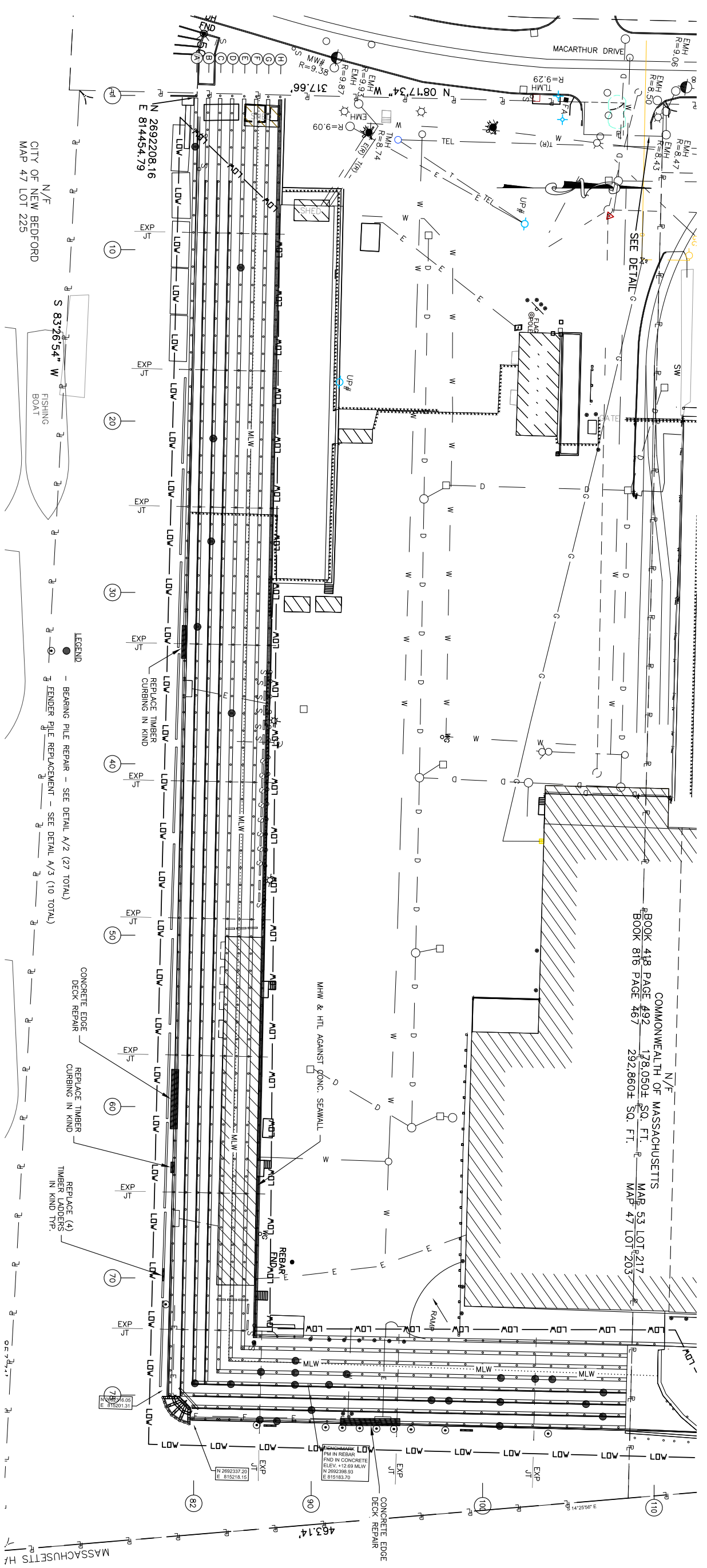
Thank you for considering this request. If you have any questions or concerns, please contact the undersigned at 617-921-6435.

Respectfully,

GEI Consultants, Inc.

A handwritten signature in black ink, appearing to read "Bradford Saunders", written over the printed name and title.

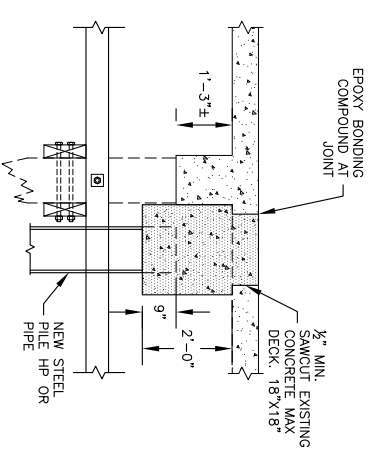
Bradford Saunders
Senior Professional



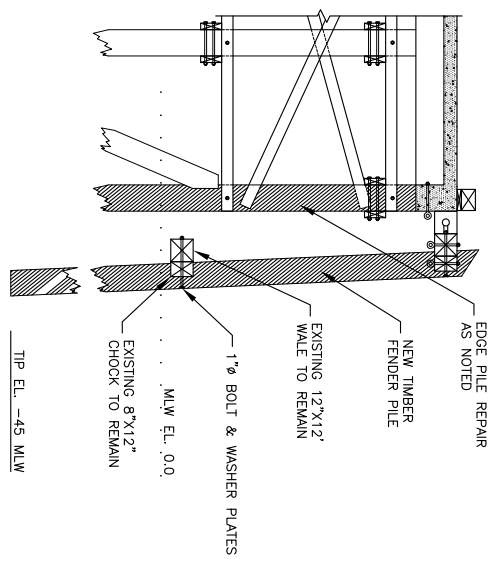
COMMONWEALTH OF MASSACHUSETTS
 N 2692208.16 E 814454.79
 MAP 47 LOT 217
 178,050± SQ. FT.
 292,860± SQ. FT.
 MAP 47 LOT 203

SOUTH & EAST WHARF - PROPOSED REPAIRS
 SCALE: 1"=30'-0"

- LEGEND**
- BEARING PILE REPAIR - SEE DETAIL A/2 (27 TOTAL)
 - FENDER PILE REPLACEMENT - SEE DETAIL A/3 (10 TOTAL)



BEARING PILE REPAIR
 SCALE: 1/2"=1'-0"



FENDER PILE REPAIR
 SCALE: 1/2"=1'-0"

FOR PERMITTING APPLICATIONS ONLY

NEW BEDFORD STATE PIER
 EAST WHARF REPAIRS
 NEW BEDFORD, MA

REPAIR LOCATIONS PLAN

APRIL 18 2019 SHEET 1 OF 1
 CONTRACT NO.

DATUM: MEAN LOW WATER MLW	
100 YR FLOOD	+7.20
H.T.L.	+5.25
M.H.W.	+3.57
N.G.D.29	+1.37
MLW	0.00